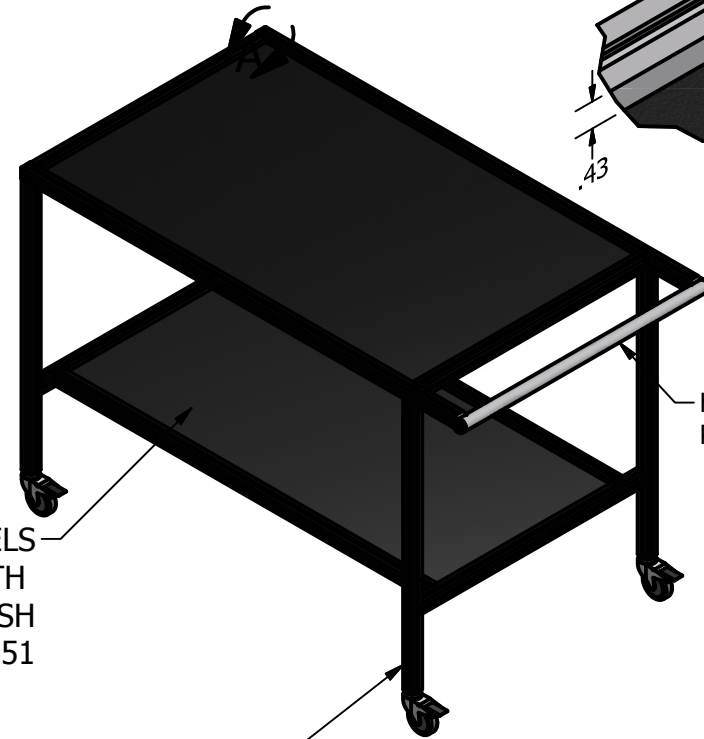
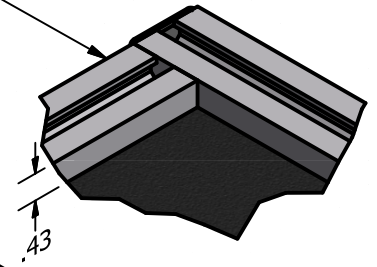


SWIVEL CASTER WITH TOTAL LOCK  
BRAKE PART # 21.1120

LOAD RATING DEPENDS ON SIZE &  
TYPE OF USE. THIS DESIGN IS GENERALLY  
FOR THE 50 - 150 POUND RANGE

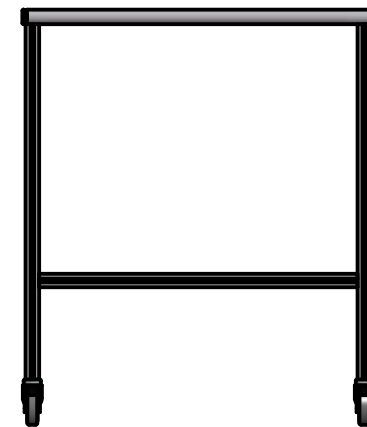
TABLE TOP & SHELF IN T-SLOTS  
CREATING .43" LIP



TOP & BOTTOM PANELS  
1/4" BLACK HDPE WITH  
RUGGED TEXTURED FINISH  
PART # 21.9551

HANDLE PROFILE 32  
PART # 20.1088

PROFILES ARE 30X30  
PART # 20.1068



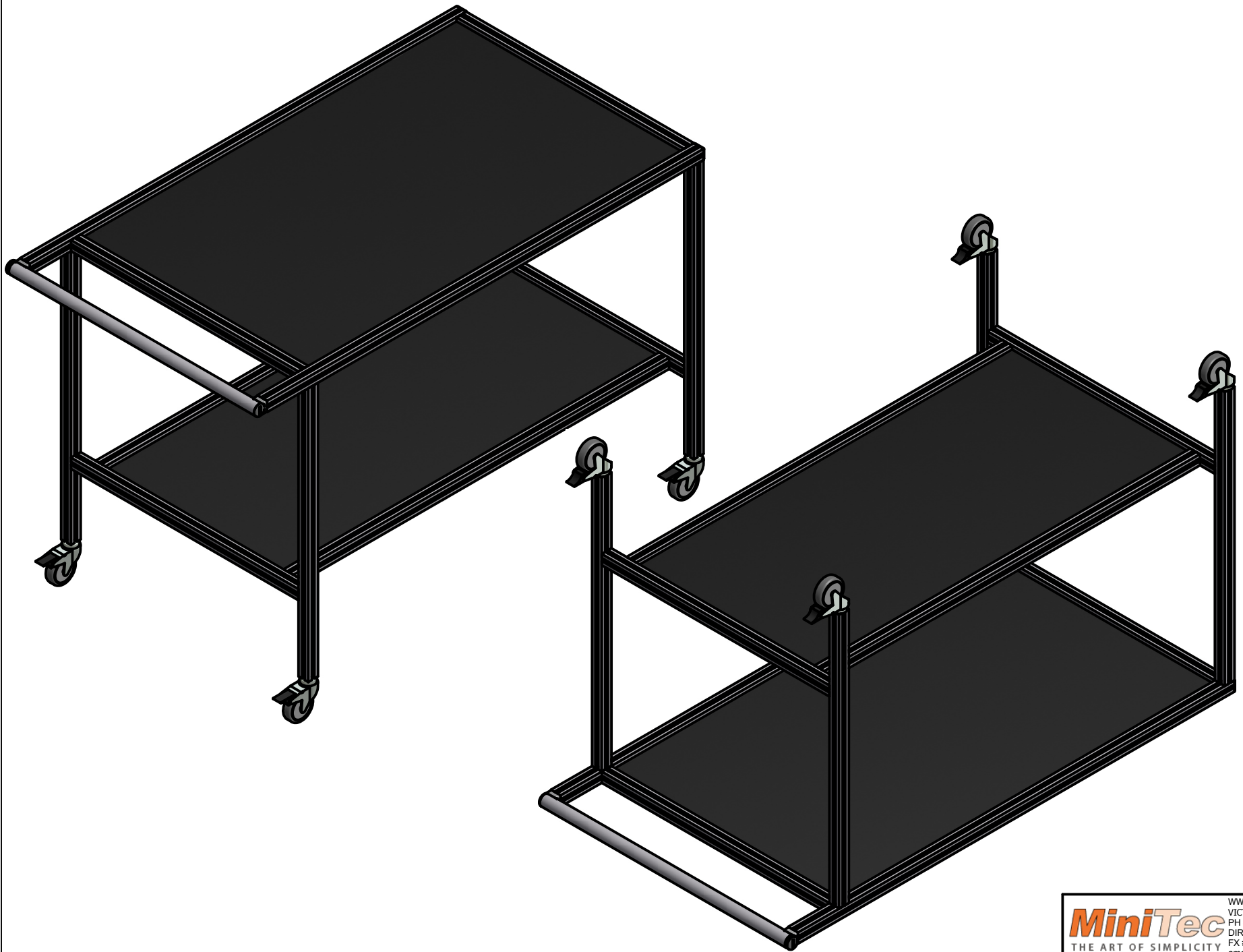
WWW.MINITECFRAMING.COM  
VICTOR, NY  
PH # 585 924-4690  
DIRECT 585 398-1240 EXT 104  
FX # 585 924-4821  
amoles@minitecframing.com

**MiniTec**  
THE ART OF SIMPLICITY

TITLE  
ECONOMICAL LIGHT DUTY  
WORK CART

DWG NO  
**SP042613**

REV



WWW.MINITECFRAMING.COM  
VICTOR, NY  
**MiniTec** PH # 585 924-4690  
THE ART OF SIMPLICITY DIRECT 585 398-1240 EXT 104  
FX # 585 924-4821  
amoles@minitecframing.com

TITLE  
ECONOMICAL LIGHT DUTY  
WORK CART

DWG NO  
**SP042613**

REV